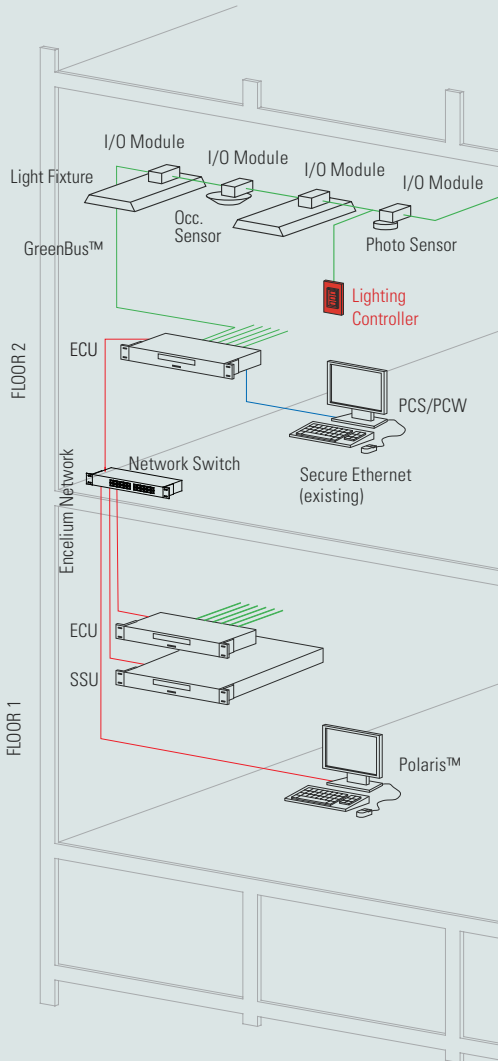




ENCCELUM

ENERGY CONTROL SYSTEM HARDWARE



SYSTEM ARCHITECTURE

This illustration shows how each component is easily integrated into the Encelium Energy Control System. Each light fixture, sensor and lighting controller is daisy-chained back to the Energy Control Unit (ECU) using prefabricated 'click & go' GreenBus™ communication cabling. ECUs typically control individual floors and are linked via an Ethernet Network. Internet or LAN connection allows Windows floor plan based control software to be operated anywhere on the network. For reference, the component shown on this data sheet is highlighted. ■

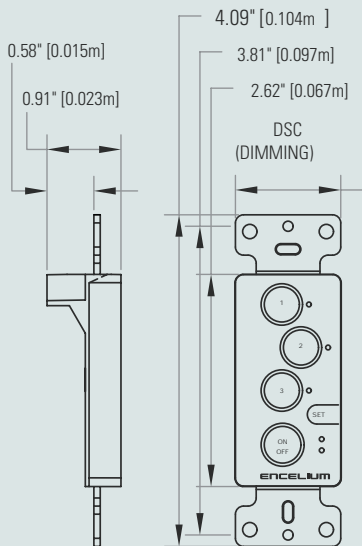
■ LIGHTING CONTROLLERS

The Zone controller (ZC3) and dimming Scene Controller (DSC) are configurable wall mounted devices that provide local on/off or dimming control over lighting zones. Utilizing a standard single-gang form factor, the ZC3 and DSC are low voltage lighting controllers that connect to the Encelium ECS system through GreenBus™ cable with standard RJ-45 connectors. Each device can be set-up and modified through Encelium's Polaris software interface.

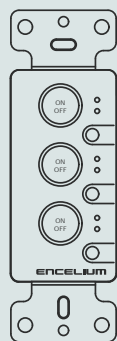
ZONE CONTROLLER (ZC3)

The ZC3 is a three zone, software configurable lighting controller that provides on/off switching for up to three lighting zones. It is generally located at entry points to a floor or department and is used to "activate" or "de-activate" a lighting zone. The zone status is indicated by an LED display with yellow indicating ON and blue indicating OFF.

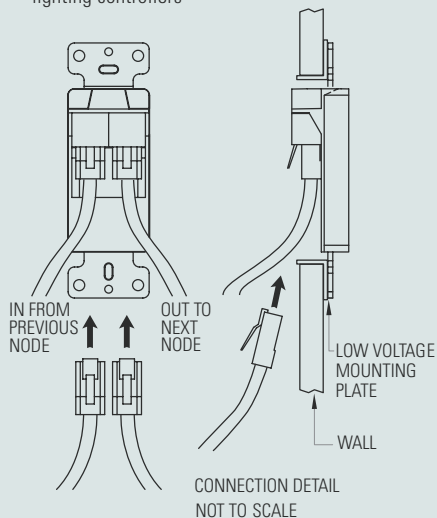
Where lighting zones are controlled by a time schedule (rather than by occupancy sensors), the ZC3 also allows manual override of the time schedule by simply "re-activating" the zone about to be shut down. During shut down mode, the ZC3 will alternately flash blue and yellow LED's to indicate to occupants that an override is easy.



ZC3 (3-ZONE)
1.30" [0.033m]



Low voltage GreenBus™ connections to back of lighting controllers



DIMMING SCENE CONTROLLER (DSC)

DIMMING SCENE CONTROLLER (DSC)

The DSC is a three scene, single zone dimming lighting controller that provides customized light level control in areas such as boardrooms, conference rooms, private offices and other areas requiring architectural dimming. The DSC enables manual dimming of light levels or the recall of customized lighting “scenes” by the push of a button. Scene configuration can be changed either directly on the DSC or via Encelium’s Polaris Software.

MECHANICAL SPECIFICATIONS

- Dimensions: 4.09” H X 1.3” W X 0.91” D
- Max. ambient Temperature +40°C / 104°F
- Mounts in standard size wall box suitable for multi gang installation or alternative of Low Voltage wall plate
- Suitable for use with Decorator-style wall plates

ELECTRICAL SPECIFICATIONS

- Class II Low Voltage device
- Power through GreenBus™ connection

DATA SPECIFICATIONS

- Two RJ45 ports for GreenBus™ connection
- Interconnected with prefabricated GreenBus™ cable

Specifications subject to change without notice.
Install in accordance with all applicable national and local electrical and building codes.

Cat.# ZC3-500

Cat.# DSC-500



CORPORATE HEAD OFFICE
500 Frank W. Burr Boulevard
Floor 1, Suite 29
Teaneck, NJ 07666 U.S.A.
Tel. 1.201.928.2400
Tel. 1.201.928.4028

CANADIAN OFFICE
68 Leek Crescent - Unit A
Richmond Hill, ON L4B 1H1
CANADA
Tel. 1.905.731.7678
Tel. 1.905.731.1401

TECHNICAL SUPPORT
1.888.531.7573

EMAIL technicalsupport@encelium.com
WEB www.encelium.com/technicalsupport