

SYSTEM ARCHITECTURE

This illustration shows how each component is easily integrated into the Encelium Energy Control System. Each light fixture, sensor and lighting controller is daisy-chained back to the Energy Control Unit (ECU) using prefabricated 'click & go' GreenBus™ communication cabling. ECUs typically control individual floors and are linked via an Ethernet Network. Internet or LAN connection allows Windows floor plan based control software to be operated anywhere on the network. For reference, the component shown on this data sheet is highlighted. ■

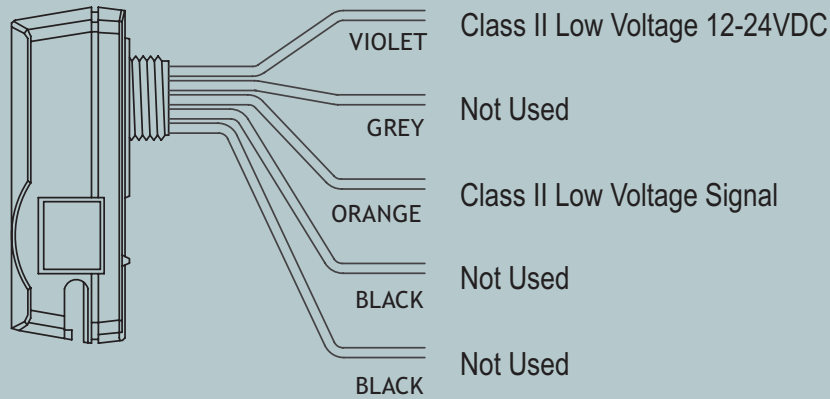
■ KEY SWITCH CONTROLLER

The Key Switch Controller is a single zone wall mounted controller that provides local on/off control over a lighting zone. Utilizing a standard single-gang form factor in a rugged stainless steel housing, the Key Switch Controller is a low voltage controller that connects to the Encelium ECS system through GreenBus™ cable with standard RJ-45 connectors. Each Key Switch Controller can be set-up and modified through Encelium's Polaris software interface.

The Key Switch Controller is generally located at entry points to a zone or department and is used to "activate" or "de-activate" a lighting zone.

Where lighting zones are controlled by a time schedule (rather than by occupancy sensors), the Key Switch Controller also allows manual override of the time schedule by simply "re-activating" the zone about to be shut down. It can be used as an emergency override with programmable response.

A third party key switch can be used in the same manner. Additionally, the same functionality can be created with any maintained switch such as a line voltage switch and a contactor. Consult factory for specifications.



ENCELIUM I/O MODULE - TYPICAL INSTALLATION WITH KEY SWITCH OR OTHER MAINTAINED SWITCH

MECHANICAL SPECIFICATIONS

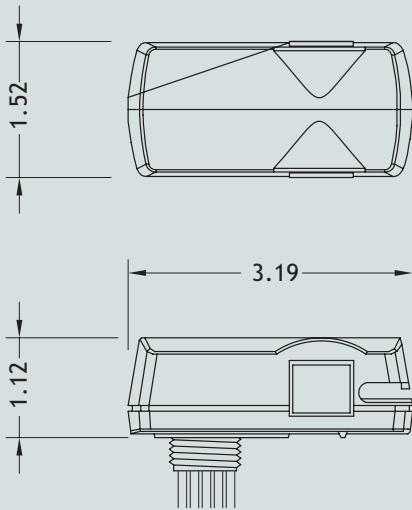
- Dimensions: 4.09" H X 1.3" W X 0.91" D
- Max. ambient Temperature +40°C /104°F
- Mounts in standard size wall box of at least 2.4" depth, could be customized for multi-gang

ELECTRICAL SPECIFICATIONS

- Class II Low Voltage device
- Power through GreenBus™ connection

DATA SPECIFICATIONS

- Two RJ45 ports for GreenBus™ connection
- Interconnected with prefabricated GreenBus™ cable



Specifications subject to change without notice.

Install in accordance with all applicable national and local electrical and building codes.

Cat. # KSW-300



CORPORATE HEAD OFFICE
 500 Frank W. Burr Boulevard
 Floor 1, Suite 29
 Teaneck, NJ 07666 U.S.A.
 Tel. 1.201.928.2400
 Fax. 1.201.928.4028

CANADIAN OFFICE
 68 Leek Crescent - Unit A
 Richmond Hill, ON L4B 1H1
 CANADA
 Tel. 1.905.731.7678
 Fax. 1.905.731.1401

TECHNICAL SUPPORT
 1.888.531.7573

EMAIL technicalsupport@encelium.com
WEB www.encelium.com/technicalsupport