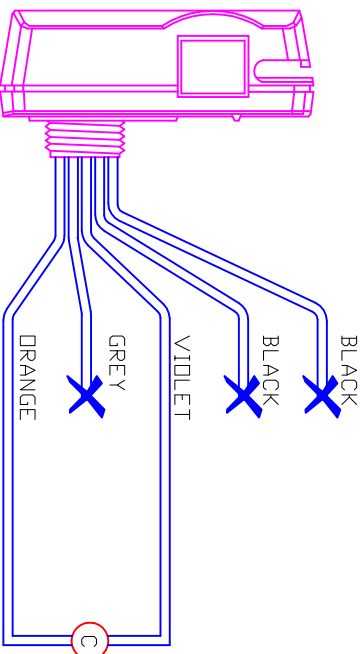


- NOTES:
1. REFER TO ENCELLIUM UNIVERSAL I/O MODULE INSTALLATION AND SERVICE MANUAL BEFORE INSTALLING OR SERVICING UNIT.
 2. WIRE UNIT IN ACCORDANCE WITH ALL APPLICABLE ELECTRICAL AND BUILDING CODES.
 3. INTERCONNECT UNITS WITH ENCELLIUM PREFABRICATED GREENBUS COMMUNICATION CABLE ONLY (CLASS II, FLAME RATING: FT6/CMP).
 4. FOR INTERCONNECTION DETAILS WITH OTHER DEVICES (BALLASTS, SENSORS, ETC.) REFER TO SPECIFIC INSTRUCTIONS FOR THE DEVICE OR CONTACT ENCELLIUM.
 5. UNIT MUST BE SECURELY MOUNTED WITH RETAINER NUT. USE DF APPROPRIATE ELECTRICAL JUNCTION BOX RECOMMENDED.
 6. CONTAINS NO USER SERVICEABLE PARTS, REPLACE ENTIRE UNIT.
 7. CAP OFF UNUSED WIRES WITH UL LISTED WIRE NUT.

CULUS LISTED - ENERGY MANAGEMENT EQUIPMENT SUBASSEMBLY (6NNA8)



NORMALLY CLOSED (N.C.)
DRY CONTACT

ENCELLIUM I/O MODULE - WIRE TABLE

BLACK	NOT USED
BLACK	NOT USED
VIOLET	(+) CLASS II, LOW VOLTAGE, 0-24 VDC, 25 MA MAX.
GREY	NOT USED
ORANGE	SIGNAL

REV	DESCRIPTION/CHANGE	DATE

encellium
 3780 14th AVENUE, SUITE 310 - MARKHAM, ON L3R 9Y5 - CANADA
 TEL: 905-475-7769
 FAX: 905-475-9256
 www.encellium.com

TITLE **CS-FIRE ALARM-IOM**

SCALE **NTS** PROJ NO.

DRAWN **I.YAW** DWG. NO. **77-001-AB** SIZE **A**
 DATE **17-APR-08** FILE NAME **77-001-AB.dwg**