

### ■ DMX I/O MODULE

The DMX I/O Module provides an interface between the Encelium Energy Control System and any third party DMX Dimmer Pack.

Besides the integration benefits of the DMX I/O module, it is a cost effective and cosmetically pleasing solution to dim large amounts of incandescent lighting. Each DMX I/O module has the ability to control 31 DMX channels, dimmer packs can be strung together using 5-pin male-to-female DMX connectors and still be controlled by a single DMX I/O. Each DMX channel is can be individually addressed through the ECL lighting control system.

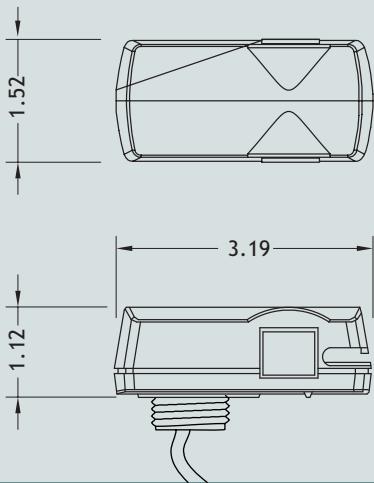
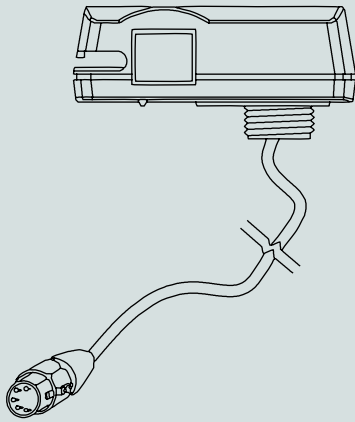
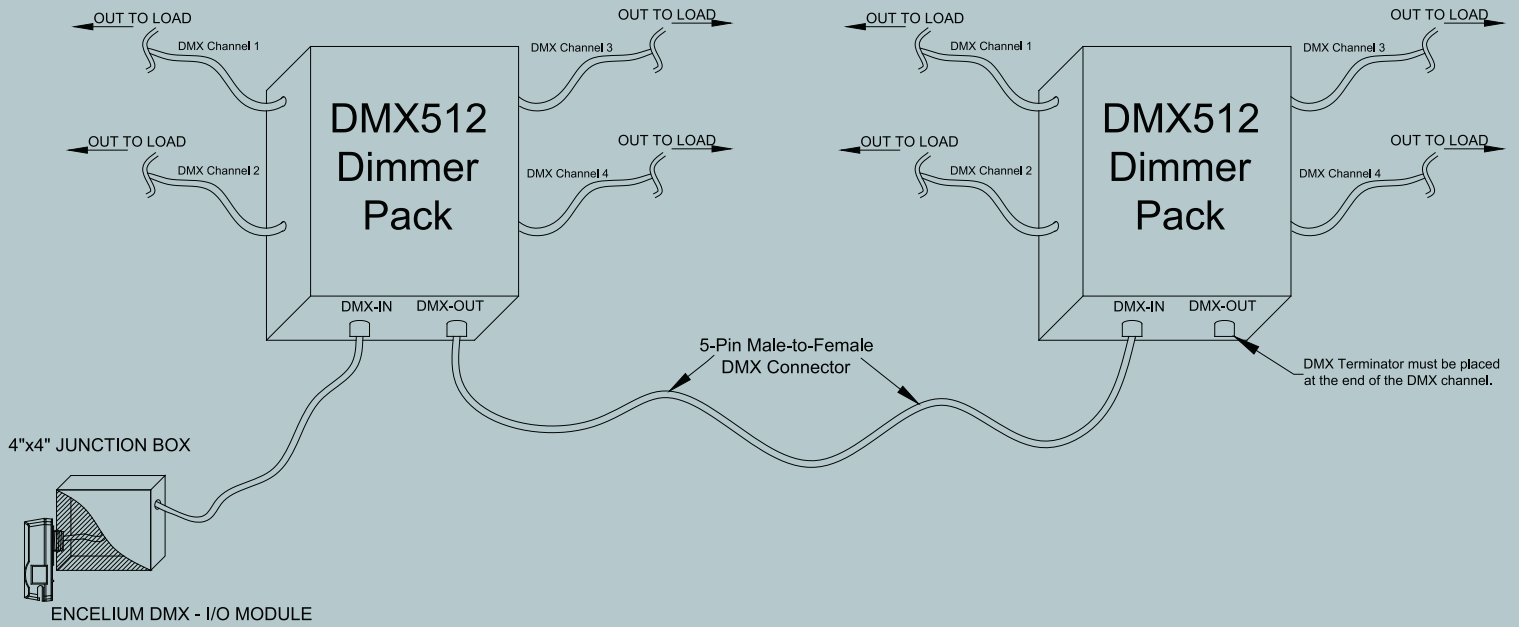
The DMX I/O module allows each DMX to be individually controlled and configured to best meet the needs of the facility. Energy management strategies such as smart time scheduling, occupancy control and task tuning can be deployed through the use of the DMX I/O module. Each DMX channel can be addressed as an individual zone or as part of a larger zone and is controlled through Encelium's Polaris software.

The DMX I/O can be applied in conjunction with addressable fixture level control strategies. It is the perfect solution for applications where circuit level incandescent dimming is required or there are existing DMX

### SYSTEM ARCHITECTURE

This illustration shows how each component is easily integrated into the Encelium Energy Control System. Each light fixture, sensor, relay panel and lighting controller is daisy-chained back to the Energy Control Unit (ECU) using prefabricated "click & go" GreenBus™ communication cabling. ECUs typically control individual floors and are linked via an Ethernet Network. Internet or LAN connection allows Windows floor plan based control software to be operated anywhere on the network. For reference, the component shown on this data sheet is highlighted. ■

# ENCELIUM DMX I/O MODULE



## SPECIFICATIONS

- Dimensions: 1.12" H X 1.52" W X 3.19" L
- Max. Ambient temperature +40°C/104°
- Suitable for junction box mounting in standard ½" knockout
- Two RJ45 connectors for GreenBus™ connection
- Rated for indoor use
- Addressable from channel 1 to 31
- 5-pin XLR type connector for DMX control
- Compliant with DMX512 protocol

**Cat. # DMX-100**

**ENCELIUM**

**CORPORATE HEAD OFFICE**  
 500 Frank W. Burr Boulevard  
 Floor 1, Suite 29  
 Teaneck, NJ 07666 U.S.A.  
 Tel. 1.201.928.2400  
 Fax. 1.201.928.4028

**CANADIAN OFFICE**  
 68 Leek Crescent - Unit A  
 Richmond Hill, ON L4B 1H1  
 CANADA  
 Tel. 1.905.731.7678  
 Fax. 1.905.731.1401

**TECHNICAL SUPPORT**  
 1.888.531.7573

**EMAIL** [technicalsupport@encelium.com](mailto:technicalsupport@encelium.com)  
**WEB** [www.encelium.com/technicalsupport](http://www.encelium.com/technicalsupport)