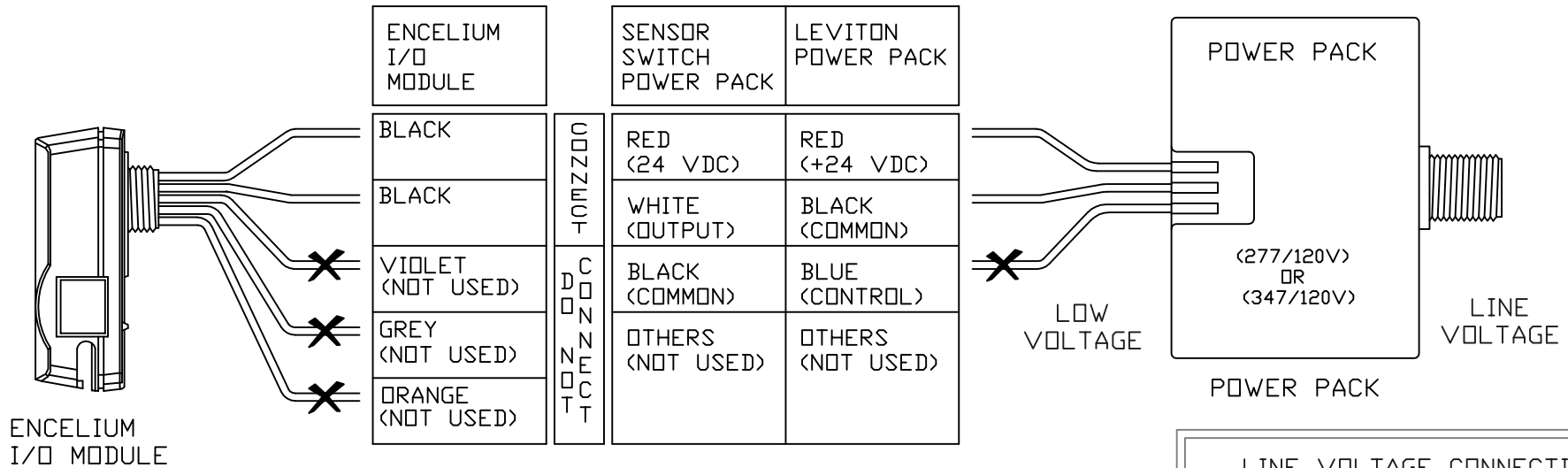
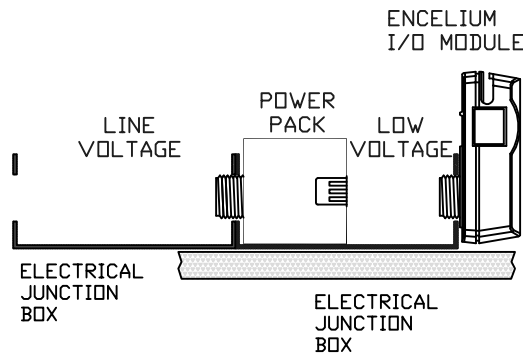


ENCELIUM I/O MODULE-TO-POWER PACK WIRING DIAGRAM (347/277/120 VAC)



EXAMPLE MOUNTING DETAIL

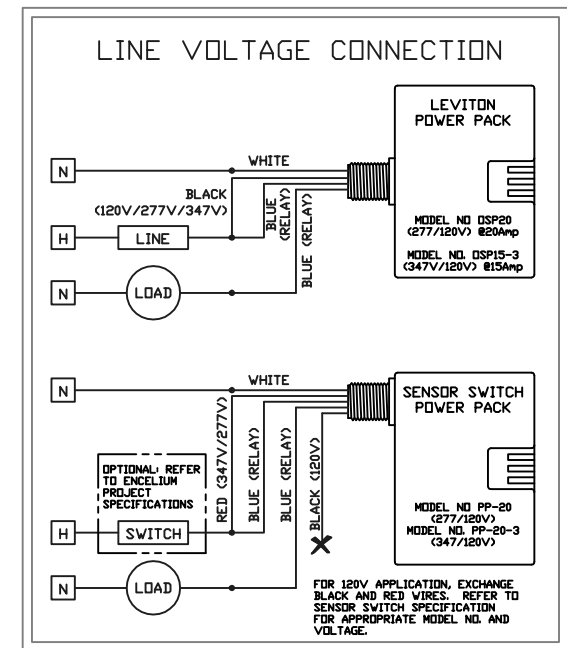


ENCELIUM I/O MODULE - WIRE TABLE

BLACK	RELAY CONTACT
BLACK	RELAY CONTACT
VIOLET	NOT USED WITH POWER PACKS
GREY	NOT USED WITH POWER PACKS
ORANGE	NOT USED WITH POWER PACKS

NOTES:

1. REFER TO MANUFACTURERS SPECIFICATIONS FOR LOAD LIMITS AND DETAILED INSTALLATION INSTRUCTIONS.
2. WIRE UNIT IN ACCORDANCE WITH ALL APPLICABLE ELECTRICAL AND BUILDING CODES.
3. USE OF ELECTRICAL JUNCTION BOX RECOMMENDED.
4. REFER TO ENCELIUM UNIVERSAL IO-MODULE INSTALLATION AND SERVICE MANUAL BEFORE INSTALLING OR SERVICING MODULE.
5. CONTACT ENCELIUM FOR COMPATIBILITY WITH OTHER DEVICES.



REV	DESCRIPTION/CHANGE	DATE
68 LEEK CRESCENT, UNIT A - RICHMOND HILL, ON L4B 1H1 - CANADA		TEL: 905-731-7678 FAX: 905-731-1401 www.encelium.com
TITLE POWER PACK-IOM		
SCALE NTS	PROJ NO.	SIZE A
DRAWN S. PANERI	DWG. NO. 77-008-BA	
DATE 30-APR-10	FILE NAME CS-PP-IOM.dwg	