



BASIC OPERATION

The SCP Series Infrared Ceiling Sensor is a low voltage occupancy sensor that works in conjunction with Encelium’s Energy Control System, Power Pack, or Power Base Adaptor to control lighting. The sensor’s main function is to turn the lights ON or maintain the lights ON while movement is detected within the sensor’s range and to turn the lights OFF when the space is left unoccupied.

The sensor uses a Dual Element PIR heat detector that resides behind a multi-zone optical lens. This Fresnel lens establishes dozens of zones of detection. The sensor is sensitive to the heat emitted by the human body. In order to trigger the sensor, the source of heat must move from one zone of sensing to another. Non-moving hot objects will not cause the lights to turn ON (like incandescent lights).

APPLICATIONS

- Classrooms
- Utility closets
- Conference rooms
- Copy rooms
- Hallways
- Small offices
- Open areas
- Private restrooms
- Storage rooms
- Vending rooms
- Open warehouses
- Workspaces

HOW THE SCP-0450, SCP-1500 AUTOMATICALLY ADAPTS

Condition	Example	Adaptive Reaction
Timer Left In Test Mode - The sensor remains in an 6 sec. test mode.	An installer accidentally leaves the sensor in the 6 sec. timer test mode and the lights may go off or on every 6 sec.	The sensor automatically resets the timer to 10 min. after 15 min. of test mode.
False-On -The sensor incorrectly turns the lights on.	The sensor detects movement in the corridor or hallway and the room lights turn on.	After an initial movement is sensed, if another movement is not sensed within the timer setting then the delayed off time setting is automatically reduced.
False-Off -The sensor incorrectly turns the lights off.	The sensor does not detect movement because an occupant sits virtually motionless at a desk and the lights turn off.	If motion is sensed within a short period after the lights go off, then the current delayed off-time setting is increased.

SCP-0450, SCP-1500

FEATURES

- **Fast, Simple Installation:** Easy base mount, three wire connection (low voltage) and twist-and-lock detector attachment.
- **Range & Coverage:** 450 sq. feet and 1,500 sq. feet models available
- **Power base (PBA-015) available** for line voltage applications.
- **Non-Volatile Memory:** Learned and adjusted settings saved in protected memory are not lost during power outages.
- **Timer Setting Feature:** Automatic - 30sec - 30min. Test mode - 6sec with auto exit programming.
- **PIR Masking:** Pre-scored masking disks are provided with the device for fine tuning the field-of-view.
- **High Motion Sensitivity:** Large lens area and multi-element lens design gives excellent range and sensitivity.
- **Ambient Light Mode:** Integrated photocell prevents lights turning on under adequate ambient light.
- **Auto-Adapting Mode:** Internal microprocessor continually analyzes and adjusts the sensitivity and time delay.
- **Walk-Through Mode:** Provides increased energy savings by decreasing the time delay to 2.5min when someone momentarily walks through the monitored space.

FOR GREATER SAVINGS

Combine with Encelium’s Energy Control System to gain considerable benefits over occupancy sensors alone:

- **Polaris™ Software** enables the addition of Daylight-Harvesting, Time Scheduling, Task Tuning, Variable Load Shedding, Personal Control, for significantly greater energy savings.
- **Software Remapping:** any sensor to any zone.
- **Software Adjustable:** Time-out, delay, light levels.
- **Connects directly** to Encelium I/O Module.
- **BACnet Interface** (optional): Occupancy sensing for building automation, HVAC, security, traffic data, etc.

SCP-0450, SCP-1500

DIP SWITCH SETTINGS			
SWITCH	BANK A	SWITCH FUNCTIONS	SWITCH SETTINGS
A1	N/A	—	—
A2	N/A	—	—
A3	Manual Mode	Auto Adapting Enabled	Auto Adapting Disabled
A4	Walk-Thru Disable	Walk-Thru Enabled	Walk-Thru Disabled
	BANK B		
B1	Override to On	Auto Mode	Lights forced On
B2	Override to Off	Auto Mode	Lights forced Off
B3	Test Mode	OFF▶ON▶OFF to start Test Mode. Auto-exits after 15 min.	
B4	LED Disable	LEDs Enabled	LEDs Disabled

*Bold items are factory defaults

SPECIFICATIONS

ELECTRICAL	
Power Requirements	24 VDC, 10mA works with Encelium IOM, PPK Power Pack, or PBA Power Base Adaptor
Power Consumption	20mA
Output	24 VDC active high logic control signal with short circuit protection
CONTROLS	
Infrared Sensitivity	0 to 100%; red knob (factory setting: 75%)
Light Sensor	20 to 3,000 Lux; blue knob factory set at 100% (*grey wire required)
Time Delay	30sec-30min; black knob (factory setting: 5 min)
INDICATORS	
Red LED Lamp	Passive infrared motion technology
ENVIRONMENTAL	
Operating Temperature Range	32°F to 104°F (0°C to 40°C)
Relative Humidity	0% to 95% non-condensing, for indoor use only
OTHER	
Mounting Height	8-10 feet
Listings	CUL/US Certified, meets ASHRAE Standard 90.1 and CEC Title 24 requirements
Warranty	Limited Five-Year Warranty

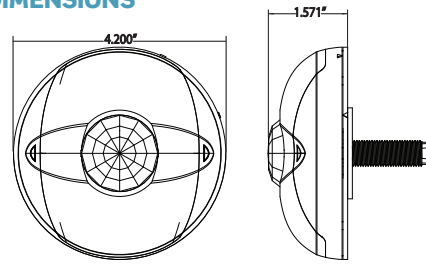
ORDERING INFORMATION

CAT NO.	DESCRIPTION
SCP-0450	Passive Infrared Ceiling Sensor, 450 sq. feet of high-resolution coverage
SCP-1500	Passive Infrared Ceiling Sensor, 1,500 sq. feet of coverage

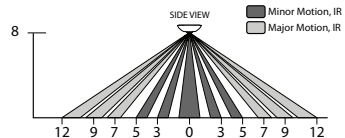
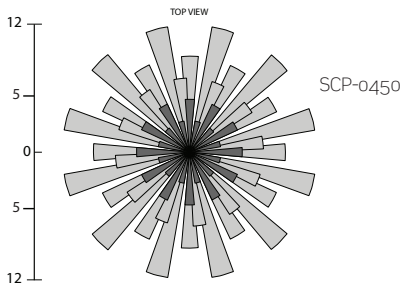
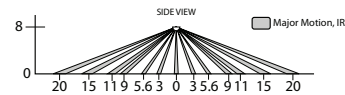
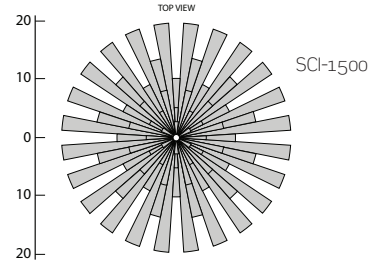
Encelium's PBA-015 Power Base Adaptor can be used in place of a Power Pack for single-sensor, 15 Amp load applications. See Encelium's PBA-015 datasheet for more information.

When used with Encelium's Lighting Control System, a Power Pack is not required for sensor installation. Please refer to document 'Encelium I/O Module to Sensor Installation Instructions' for full information.

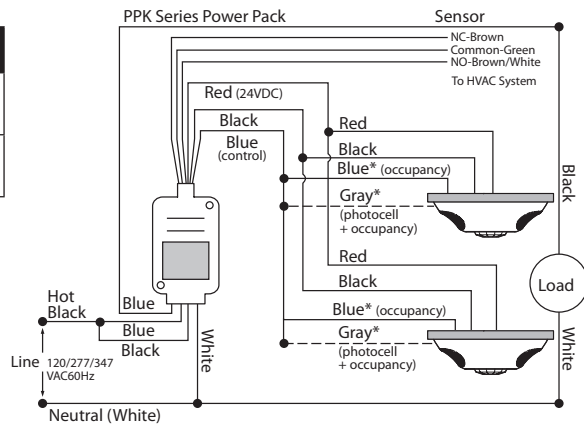
DIMENSIONS



FIELD-OF-VIEW



STAND-ALONE WIRING APPLICATION



ENCELIUM

CORPORATE HEAD OFFICE
500 Frank W. Burr Boulevard
Floor 1, Suite 29
Teaneck, NJ 07666 U.S.A.
Tel. 1.201.928.2400
Fax 1.201.928.4028

CANADIAN OFFICE
68 Leek Crescent - Unit A
Richmond Hill, ON L4B 1H1
CANADA
Tel. 1.905.731.7678
Fax 1.905.731.1401

TECHNICAL SUPPORT
1.888.531.7573

EMAIL technicalsupport@encelium.com
WEB www.encelium.com/technicalsupport